

Microsync Series

Micro Inverter
STMSI-800/1600



About Servotech Renewable

Servotech Renewable Power System Ltd. (NSE: SERVOTECH) is India's leading manufacturer of advanced clean energy solutions, specializing in solar Solutions, BESS and EV charging solutions. With a robust pan-India presence, agile manufacturing, and strong R&D capabilities, Servotech is driving India's transition toward a sustainable, energy-independent, and technologically empowered future. Through continuous innovation, strategic collaborations, and large-scale deployments, the company delivers reliable, high-performance solutions that support the nation's clean energy goals. Servotech's comprehensive portfolio spanning solar panels, inverters, Lithium batteries, and EV chargers reflects its commitment to engineering excellence and environmental stewardship. By aligning business growth with global sustainability standards, Servotech stands as a catalyst in shaping India's green energy transformation and powering a cleaner tomorrow.



Microsync Series

1 Driven 2 System



Convenient multi-angle adjustment, aluminum alloy bracket
Simply connect to your home Wi-Fi for remote management by phone



More Energy Combine a micro-inverter with a high-quality panel with adjustable opening brackets to maximize power generation.



Integration

The system integrates solar panels, inverters and cables. Portable and fold-able for a variety of applications.



Safe and Simple

Plug and play connection, no professional installation team, more savings in installation costs.

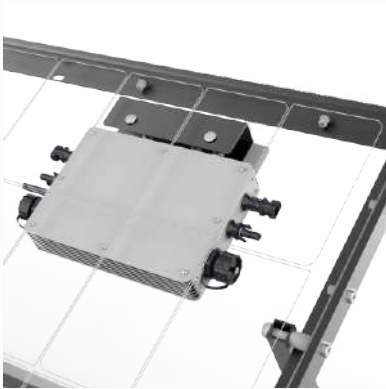


Quality Guaranteed

In line with the EU regional security certification, the system multiple protection



Advantages



**Integrated Design
(Included Inverter)**



**Plug and Play
(For 110/220V)**



**Remote Monitoring
(Sun Plus APP)**

Configuration List



Solar Panel with bracket*2

- Good for packaging and shipment
- Aluminum alloy material
- Integrated design, easy assembling
- Multi-angle adjustment



Micro Inverter STMSI-800

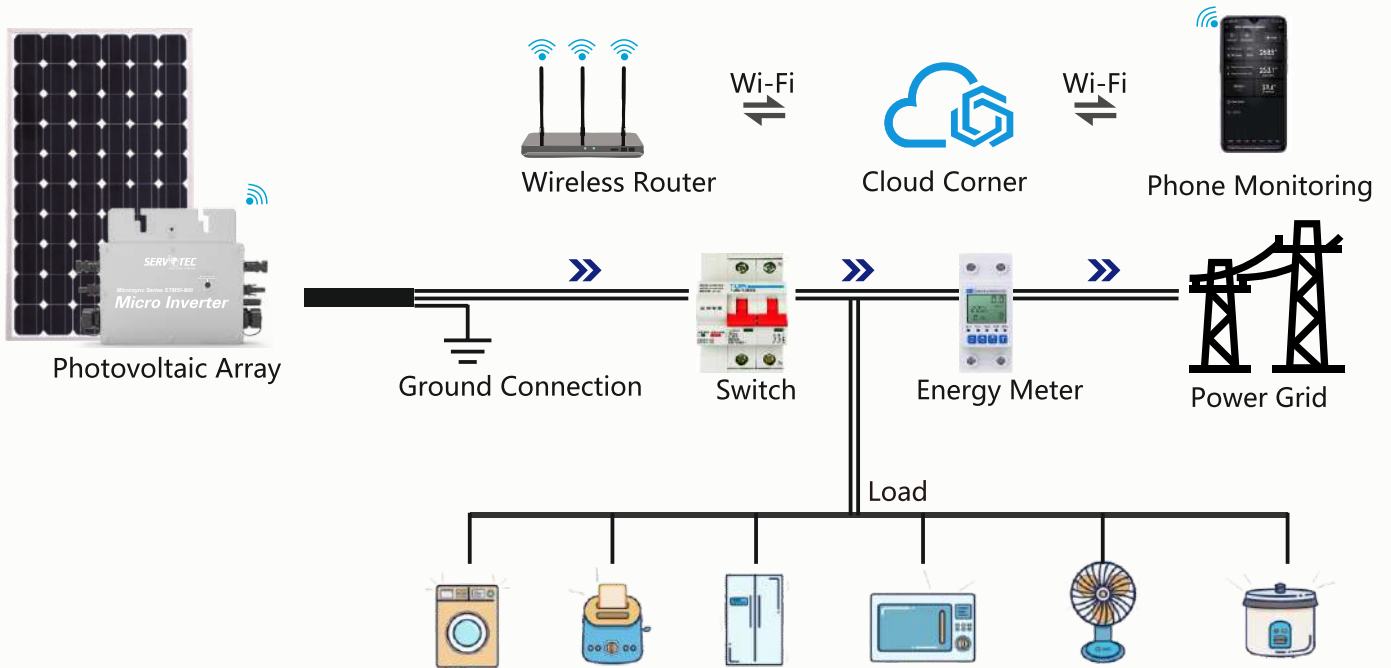
- Aluminum alloy material is durable
- Plug and play extended flexibility
- Separate MPPT improve the output power effectively
- Remote access to data in real time using Sun Plus APP



AC Cable*1

- EU standard integral die casting
- High temperature resistance, anti-oxidation material
- With European standard plug

System Structure



⚠ To prevent the risk of electric shock, it is recommended that the installation and commissioning of the system be carried out by certified personnel with professional knowledge.

APP Details Display

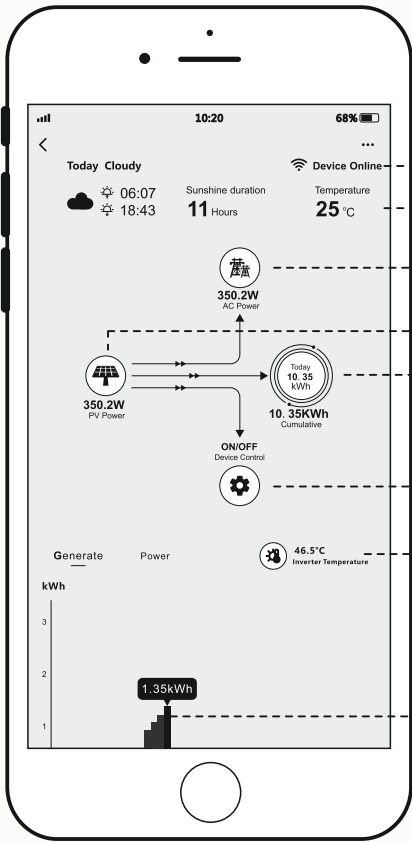
AC Output Power details

AC Power Curve Diagram

Energy conservation and environmental protection data statistics

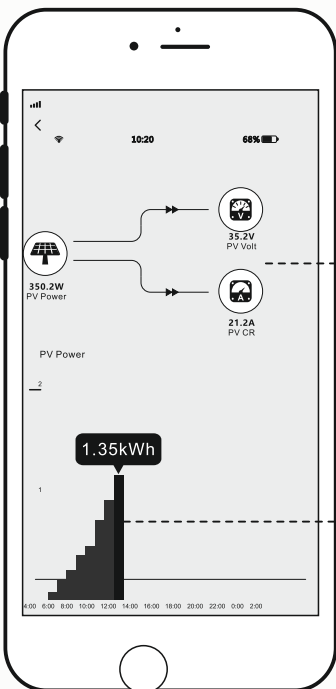
Current electricity display

APP Main Function Menu

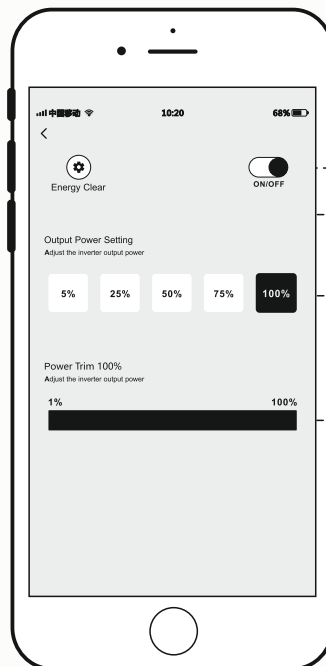


- Device Online status display
- Current weather conditions
- AC Power (Click to enter details)
- PV Power (Click to enter details)
- Current electricity (Click to enter details)
- Device Control (Click to View Detailed Function Display)
- Inverter Temperature
- Power & Electricity curve display

APP Function Control



- PV Input Power details
- PV Power Curve Diagram



- On/Off switch control
- Electricity data reset
- Output Power Adjustment
- Output Power Precise Adjustment

Microsync Series

Handshake connection installation mode intelligent microinverter.

Product Features



Microsync Series PV micro inverters can adapt to a variety of harsh environments, suitable for residential, public applications and factories and ground power stations.



Using advanced forward inverter grid-connected technology, higher output efficiency, conversion efficiency up to 94%.



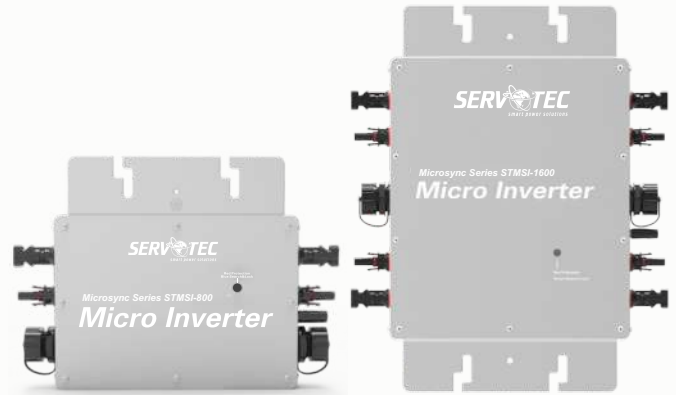
IP65 waterproof rating can effectively prevent the erosion of rain on the surface



Excellent low light automatic locking function (APL) makes your PV power plant more efficient (morning, evening, rainy day)



High performance Maximum Power Point tracking (MPPT) function, can better track the change of solar luminosity and control different output power, effectively capture and collect sunlight



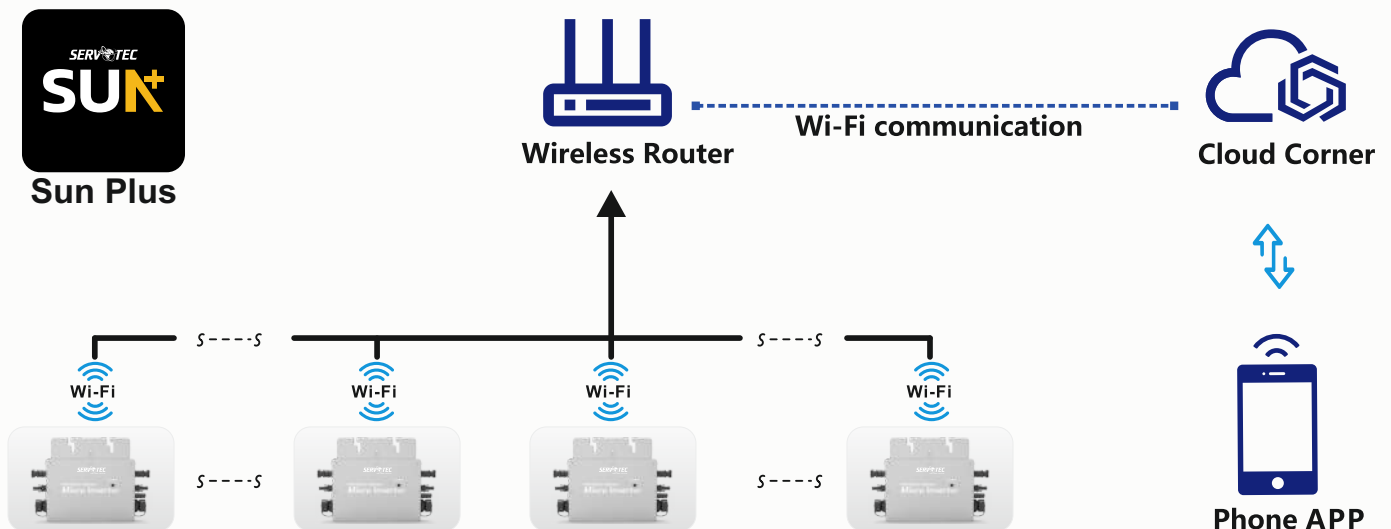
Professional Core Tech.

- Unique inverter processing core
- High performance max. power point capture (MPPT)
- Powerful power automatic locking (APL)

First Class Warranty

- 5 years free product warranty
- 25 years limited warranty
- Commitment to lifetime service

Intelligent life monitoring platform communication mode



Ongrid Micro Inverter

Microsync STMSI-800



Professional Core Technology

- Unique inverter processing core
- High performance Maximum Power Point
- Capture (MPPT) Powerful automatic power locking (APL)

First Class Warranty

- 5 years free product warranty
- 25 years Limited warranty
- Promises lifetime service



Microsync STMSI-800
(1 Driven 2)

Features Description

- ⊙ Open circuit voltage range: 30-60VDC
- ⊙ Output voltage range: 85-160VAC/180-265VAC
- ⊙ Output frequency range: 48-51Hz/58-61Hz
- ⊙ Maximum output power: 800WATT
- ⊙ Output waveform type: pure sine wave
- ⊙ Maximum power point tracking (MPPT)
- ⊙ High frequency, micro, intelligent monitoring system
- ⊙ Gross weight: 2.8KG
- ⊙ Size: 283mm×200mm×41.6mm
- ⊙ Communication: Wi-Fi
- ⊙ Waterproof rating: IP65

PV Microinverter Functions & Features

- High performance automatic Power Point Tracking (MPPT)
- Reverse power transmission
- Intelligent monitoring and management
- The input and output are completely isolated to ensure power
- Safety and high reliability
- Full digital control
- Simplified maintenance (user maintenance)
- Low operation and maintenance cost
- Flexible installation

Microsync STMSI-800

Built-in high-performance Maximum Power Point Tracking (Maximum Power Point Tracking) function, can better track the change of the sun's luminosity and control different output power, effectively capture and collect sunlight. The power transmission adopts reverse AC power transmission technology, which is one of our patented technologies. The power output of the inverter can give priority to the use of the load, and the unused power is transmitted to the grid in the reverse direction. The power transmission rate can reach more than 99% by efficiently using the power generated by the inverter. Built-in Wi-Fi & Bluetooth dual-mode communication module, just connect to the home wireless network can easily achieve data transmission, with the “Sun Plus” Internet of Things APP, you can control and view all kinds of data.

Ongrid Micro Inverter Microsync STMSI-1600



Professional Core Technology

- Unique inverter processing core
- High performance Maximum Power Point
- Capture (MPPT) Powerful automatic power locking (APL)

First Class Warranty

- 5 years free product warranty
- 25 years Limited warranty
- Promises lifetime service



Microsync STMSI-1600
(1 Driven 4)

Features Description

- ⊙ Open circuit voltage range: 30-60VDC
- ⊙ Output voltage range: 85-160VAC/180-265VAC
- ⊙ Output frequency range: 48-51Hz/58-61Hz
- ⊙ Maximum output power: 1600WATT
- ⊙ Output waveform type: pure sine wave
- ⊙ Maximum power point tracking (MPPT)
- ⊙ High frequency, micro, intelligent monitoring system
- ⊙ Gross weight: 4KG
- ⊙ Size: 370mm×300mm×41.6mm
- ⊙ Communication: Wi-Fi
- ⊙ Waterproof rating: IP65

PV Microinverter Functions & Features

- High performance automatic Power Point Tracking (MPPT)
- Reverse power transmission
- Intelligent monitoring and management
- The input and output are completely isolated to ensure power
- Safety and high reliability
- Full digital control
- Simplified maintenance (user maintenance)
- Low operation and maintenance cost
- Flexible installation

Microsync STMSI-1600

Built-in high-performance Maximum Power Point Tracking (Maximum Power Point Tracking) function, can better track the change of the sun's luminosity and control different output power, effectively capture and collect sunlight. The power transmission adopts reverse AC power transmission technology, which is one of our patented technologies. The power output of the inverter can give priority to the use of the load, and the unused power is transmitted to the grid in the reverse direction. The power transmission rate can reach more than 99% by efficiently using the power generated by the inverter. Built-in Wi-Fi & Bluetooth dual-mode communication module, just connect to the home wireless network can easily achieve data transmission, with the “Sun Plus” Internet of Things APP, you can control and view all kinds of data.

INDIA'S TRUSTED



CONTACT US

Ph: 011-41183116, +91 97176 91800 |  +91 93113 13734

Email: servotech@servotechindia.com | Website: www.servotech.in

Servotech Renewable Power System Ltd.

Corporate Office : 806, 8th Floor, Crown Heights, Sector-10, Rohini, New Delhi - 110085

Warehouse: Khasra No. 8/5, 6, 14/2, 15/1, 16/2 Min & 17, Jakhauli Road, Jhundpur, Sonipat, Haryana - 131021

Reg. Add. & Kundli Plant: Khata No. 1970, Khewat No. 1672, Khasra No. 21/20/2/2, Revenue Estate, Kundli, P.S.Rai, Sonipat, Haryana - 131029

Safiabad Plant: Killa No. 14/6/1/2 (0-3), 6/2/3 (5-13) Village-Safiabad, Pana Paposhian, Rai, Sonipat, Haryana - 131029

